

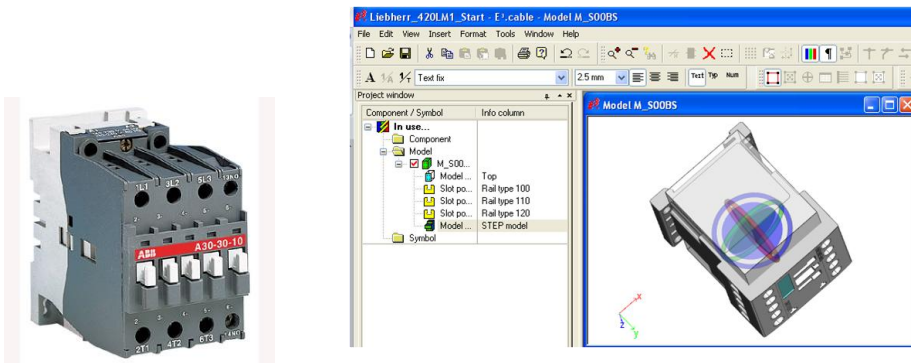
E³.series & 3D

E³ Standard Interface

E³ is a modern system that has a range of standard interfaces to communicate with other solutions as well as meet normal market requirements re. export/import of different electronic formats.

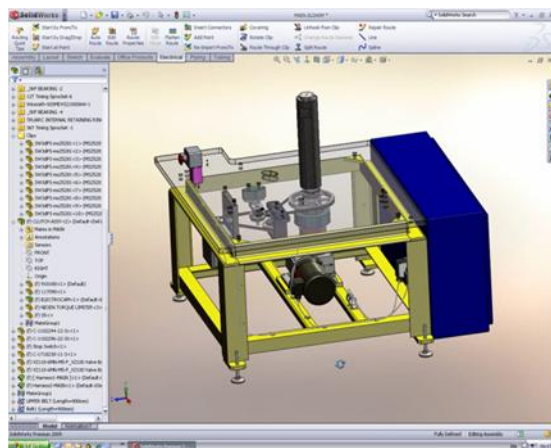
3D components

As traditional ECAD solutions only provide with the possibility to do layout design in 2D, do E³.series also offer included 3D. Users can use components with realistic images and dimensions. Import 3D models of the components you have created or copy it from manufacturers WebPages as STEP format.



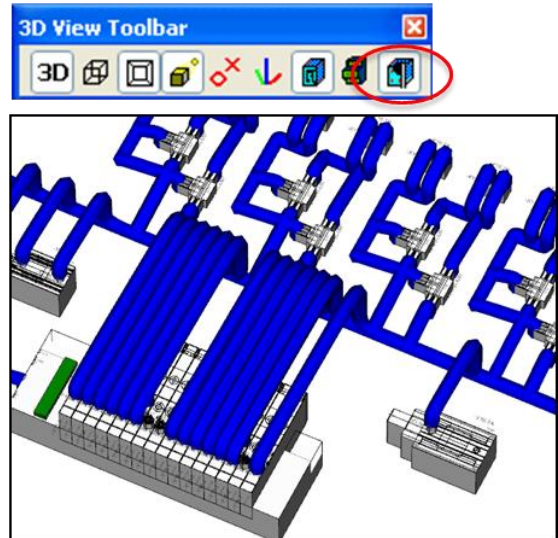
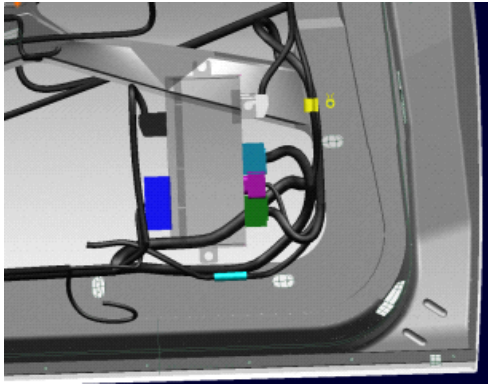
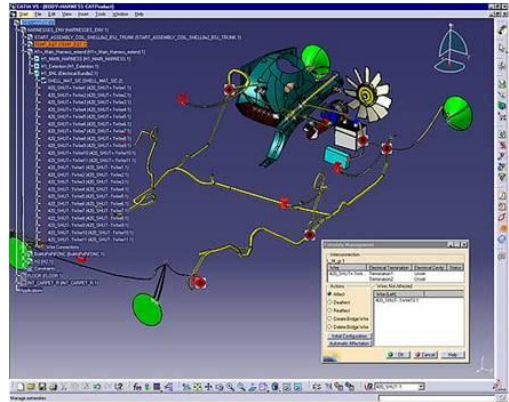
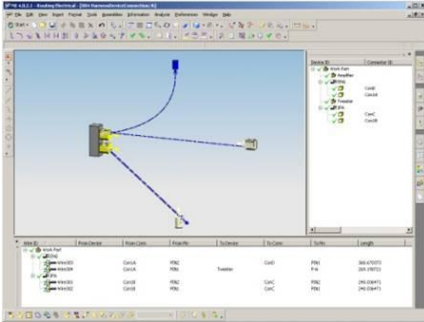
E³.panel

E³.panel integrates the logical with the physical, and offer the ability to see the result in 3D for visual inspection and collision check.



Cable Harness/Hydraulics design

Use the unique feature of E³.series and export your routing design to 3D. of prototypes required and reserve enough space required E³.series has standard interface to most of the common 3D systems at market. Reduce the amount for your routing design.



E³ 3Dbridge support the following systems;

- Dassault CATIA
- Dassault SolidWorks
- SiemensPLM NX
- SiemensPLM IDEAS
- PRO/E
- Landmark Technologies
- Autodesk Inventor