

project: Formboard-CablePlan_ready_2009

Order: Order

Contents:

- 0. cover sheet, contents
- 10 circuit diagram, AVR-370
- 11 circuit diagram, AVR-370
- 20 cable plan unmaßstäblich, AVR-370
- 30 Formboard Scale 1:1, AVR-370
- 40 connector plan +O4-X3, =A1 +O4 -X3



- [Hyperlink to the Internet](#)
- [Hyperlink to the Filesystem](#)
- [Hyperlink to an embedded Document](#)
- [Hyperlink to Sheet 1](#)
- [Hyperlink to a Symbol](#)

All

Formboard-CablePlan_ready_2009
C:\CTCopy\template_E3-Projektel\Formboard

created with
E3
series

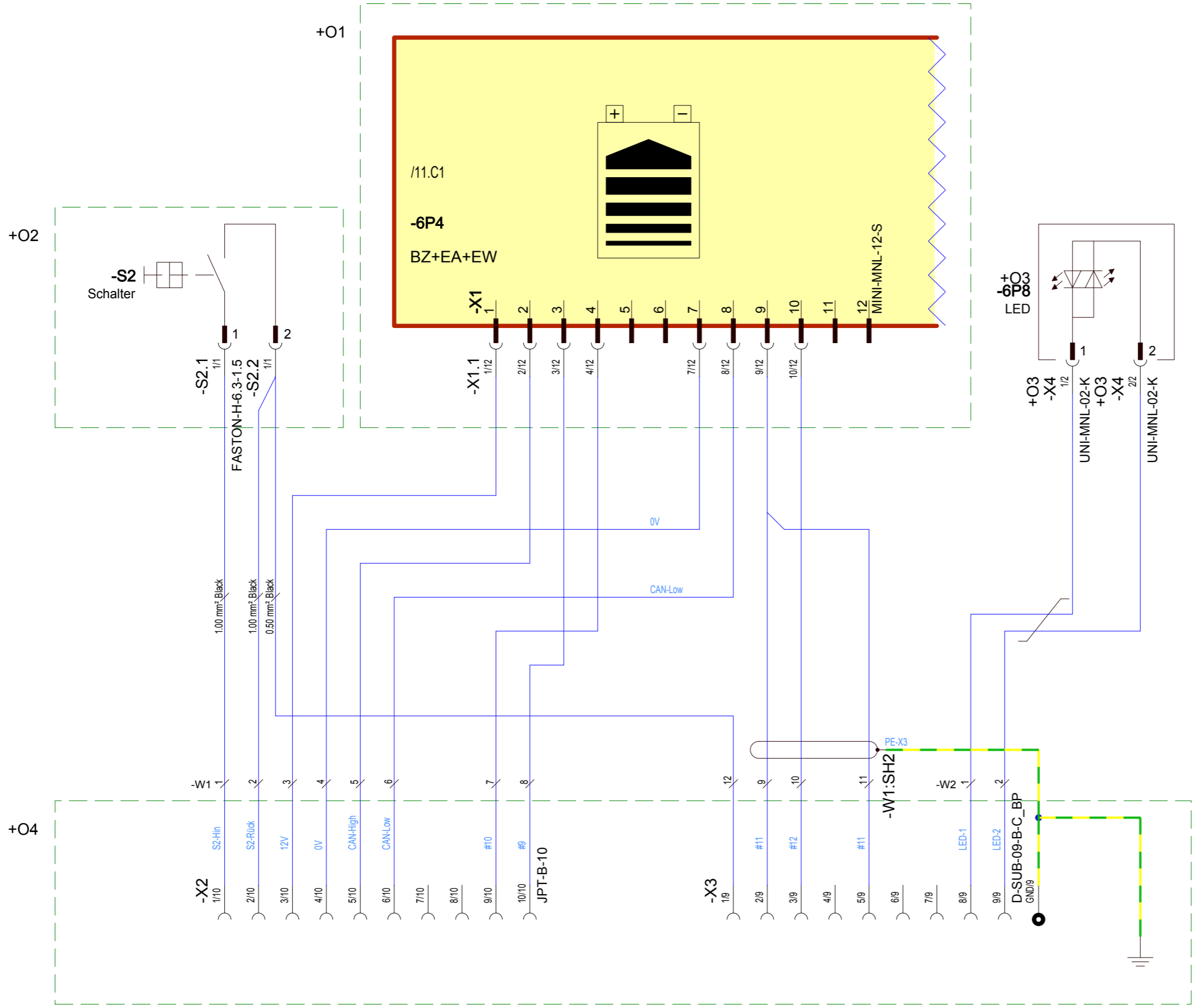
We reserve all rights in this document and in the information contained therein. Reproduction, use or disclosure to third parties without express authority is strictly forbidden.
© Zuken

		date		2009-04-17		customer order number				cover sheet contents		987654-321		=A1	
		User		ZE3-AS											
		Proved		ZE3-PG											
Status	change	date	name	Standard	Origin	Repl. f.	Repl. by					123456-789		Sheet	0
														6 Sh.	

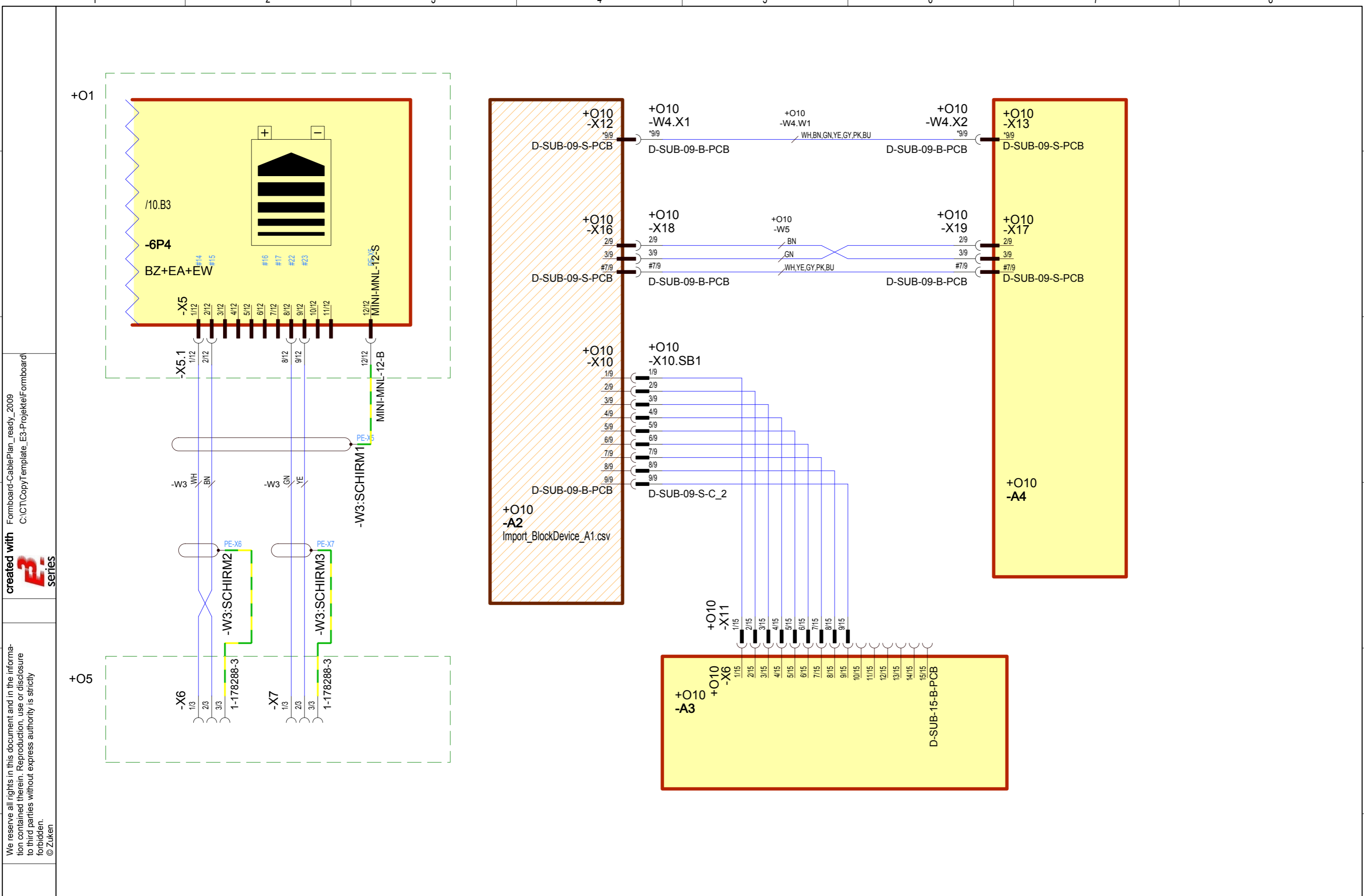
Formboard-CablePlan_ready_2009
 C:\CTCopy\template_E3-Projektel\Formboard

created with
E3 series

We reserve all rights in this document and in the information contained therein. Reproduction, use or disclosure to third parties without express authority is strictly forbidden.
 © Zuken



date		2009-04-17		customer order number		ZUKEN		circuit diagram		987654-321		=A1	
User		ZE3-AS		Order				AVR-370		special remark (1)		Sheet 10	
Proved		ZE3-PG								special remark (2)		123456-789	
Status	change	date	name	Standard	Origin	Origin	Repl. f.	replace for	Repl. by	Repl. by			6 Sh.



Formboard-CablePlan_ready_2009
 C:\CT\COPY\template_E3-Projektel\Formboard

created with
E3 series

We reserve all rights in this document and in the information contained therein. Reproduction, use or disclosure to third parties without express authority is strictly forbidden.
 © Zuken

date		2009-04-17		customer order number		987654-321		=A1	
User		ZE3-AS		Order		123456-789		Sheet 11	
Proved		ZE3-PG		Repl. f.				6 Sh.	
Status	change	date	name	Standard	Origin	Repl. f.	Repl. by		



circuit diagram
 AVR-370

Formboard; scale 1:1

Formboard; maßstäblich 1:1

+O3

-X4

#	Connector pin terminal	Bundle	wire	cross-section	colour	Connection-Target
1	MNL-01-B-0.5-2.1	-W2	1	0.50 mm²	Black	+O4-X3.8
2	MNL-01-B-0.5-2.1	-W2	2	0.50 mm²	Black	+O4-X3.9

UNI-MNL-02-K

-X1.1

#	Connector pin terminal	Bundle	wire	cross-section	colour	Connection-Target
1	MINI-B-0.5-1.5	-W1	3	0.50 mm²	Black	+O4-X2.3
2	MINI-B-0.5-1.5	-W1	5	0.50 mm²	Black	+O4-X2.5
3	MINI-B-0.5-1.5	-W1	8	0.50 mm²	Black	+O4-X2.10
4	MINI-B-0.5-1.5	-W1	7	0.50 mm²	Black	+O4-X2.9
7	MINI-B-0.5-1.5	-W1	4	0.50 mm²	Black	+O4-X2.4
8	MINI-B-0.5-1.5	-W1	6	0.50 mm²	Black	+O4-X2.6

MINI-MNL-12-B

-X2

#	Connector pin terminal	Bundle	wire	cross-section	colour	Connection-Target
1	JPT-B-0.5-1.0	-W1	1	1.00 mm²	Black	+O2-S2.1:1
2	JPT-B-0.5-1.0	-W1	2	1.00 mm²	Black	+O2-S2.2:1
3	JPT-B-0.5-1.0	-W1	3	0.50 mm²	Black	+O1-X1.1:1
4	JPT-B-0.5-1.0	-W1	4	0.50 mm²	Black	+O1-X1.1:7
5	JPT-B-0.5-1.0	-W1	5	0.50 mm²	Black	+O1-X1.1:2
6	JPT-B-0.5-1.0	-W1	6	0.50 mm²	Black	+O1-X1.1:8

JPT-B-10

+O1

-X5.1

#	Connector pin terminal	Bundle	wire	cross-section	colour	Connection-Target
1	MINI-B-0.5-1.5	-W3	WH	0.25 mm²	White	+O5-X6.2
2	MINI-B-0.5-1.5	-W3	BN	0.25 mm²	Brown	+O5-X6.1
8	MINI-B-0.5-1.5	-W3	GN	0.25 mm²	Green	+O5-X7.1
9	MINI-B-0.5-1.5	-W3	YE	0.25 mm²	Yellow	+O5-X7.2

MINI-MNL-12-B

+O2

-S2.1

#	Connector pin terminal	Bundle	wire	cross-section	colour	Connection-Target
1		-W1	1	1.00 mm²	Black	+O4-X2.1

FASTON-H-6.3-1.5

-S2.2

#	Connector pin terminal	Bundle	wire	cross-section	colour	Connection-Target
1		-W1	12	0.50 mm²	Black	+O4-X3.1
		-W1	2	1.00 mm²	Black	+O4-X2.2

FASTON-H-6.3-1.5

-X6

#	Connector pin terminal	Bundle	wire	cross-section	colour	Connection-Target
1		-W3	BN	0.25 mm²	Brown	+O1-X5.1:2
2		-W3	WH	0.25 mm²	White	+O1-X5.1:1

1-178288-3

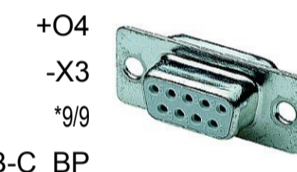
+O5

-X7

#	Connector pin terminal	Bundle	wire	cross-section	colour	Connection-Target
1		-W3	GN	0.25 mm²	Green	+O1-X5.1:8
2		-W3	YE	0.25 mm²	Yellow	+O1-X5.1:9

1-178288-3

+O4



D-SUB-09-B-C_BP

-X3

#	Connector pin terminal	Bundle	wire	cross-section	colour	Connection-Target
1	D-SUB-C-B-0.25	-W1	12	0.50 mm²	Black	+O2-S2.2:1
2	D-SUB-C-B-0.25	-W1	9	0.50 mm²	Black	+O1-X1.1:9
3	D-SUB-C-B-0.25	-W1	10	0.50 mm²	Black	+O1-X1.1:10
5	D-SUB-C-B-0.25	-W1	11	0.50 mm²	Black	+O1-X1.1:9
8	D-SUB-C-B-0.25	-W2	1	0.50 mm²	Black	+O3-X4.1
9	D-SUB-C-B-0.25	-W2	2	0.50 mm²	Black	+O3-X4.2

D-SUB-09-B-C_BP



1-178288-3

1-178288-3

created with ZUKEN E3 series
 Formboard-Cableplan, ready, 2009
 C:\CTCopy\template_E3-Projekte\Formboard-

We reserve all rights in this document and in the information contained therein. Reproduction, use or disclosure without express authority is strictly prohibited.
 © ZUKEN

