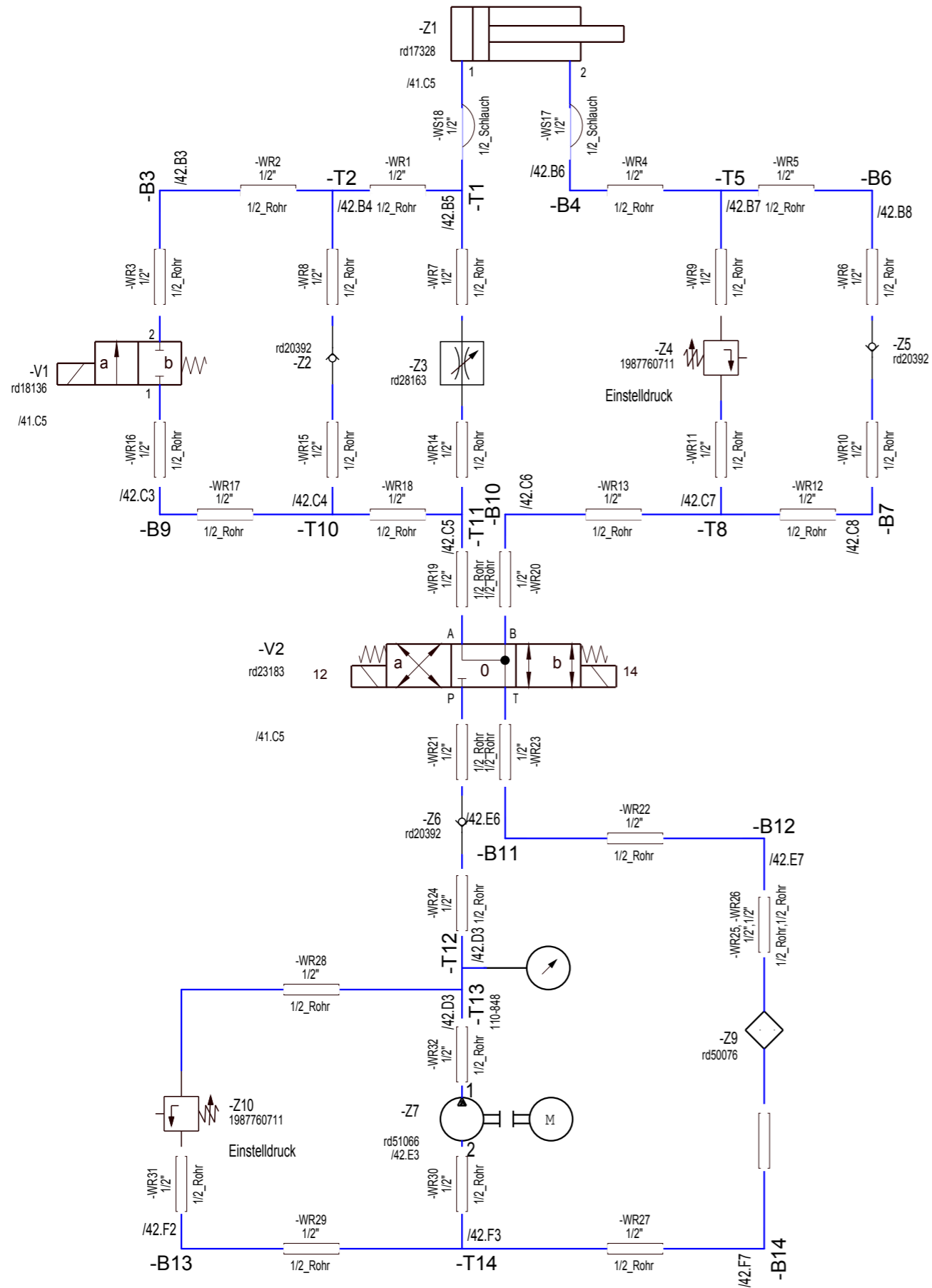
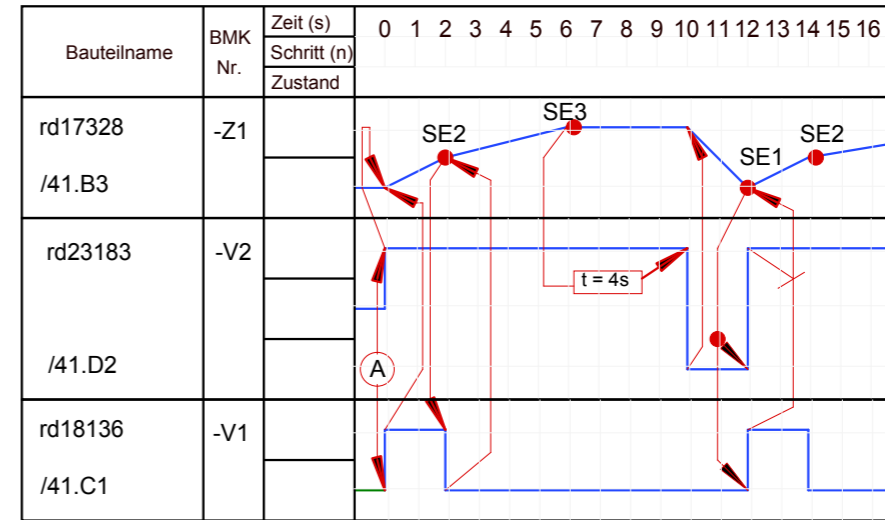


Elektrohydraulisch gesteuerte Vorschubeinheit



Funktionsdiagramm



Hydraulic

Fluid_Pneumatic-Hydraulic_2009
W:\CT\CopyTemplate_E3-Projekte\Fluid\

created with **2 series**

We reserve all rights in this document and in the information contained therein. Reproduction, use or disclosure to third parties without express authority is strictly forbidden.
© CIM-Team

date	2009-01-28
User	CT-AS
Proved	CT-BS
Standard	
Origin	
Repl. f.	



Vorschubeinheit mit Piping

ABCDEFG-111

123456789-AAA

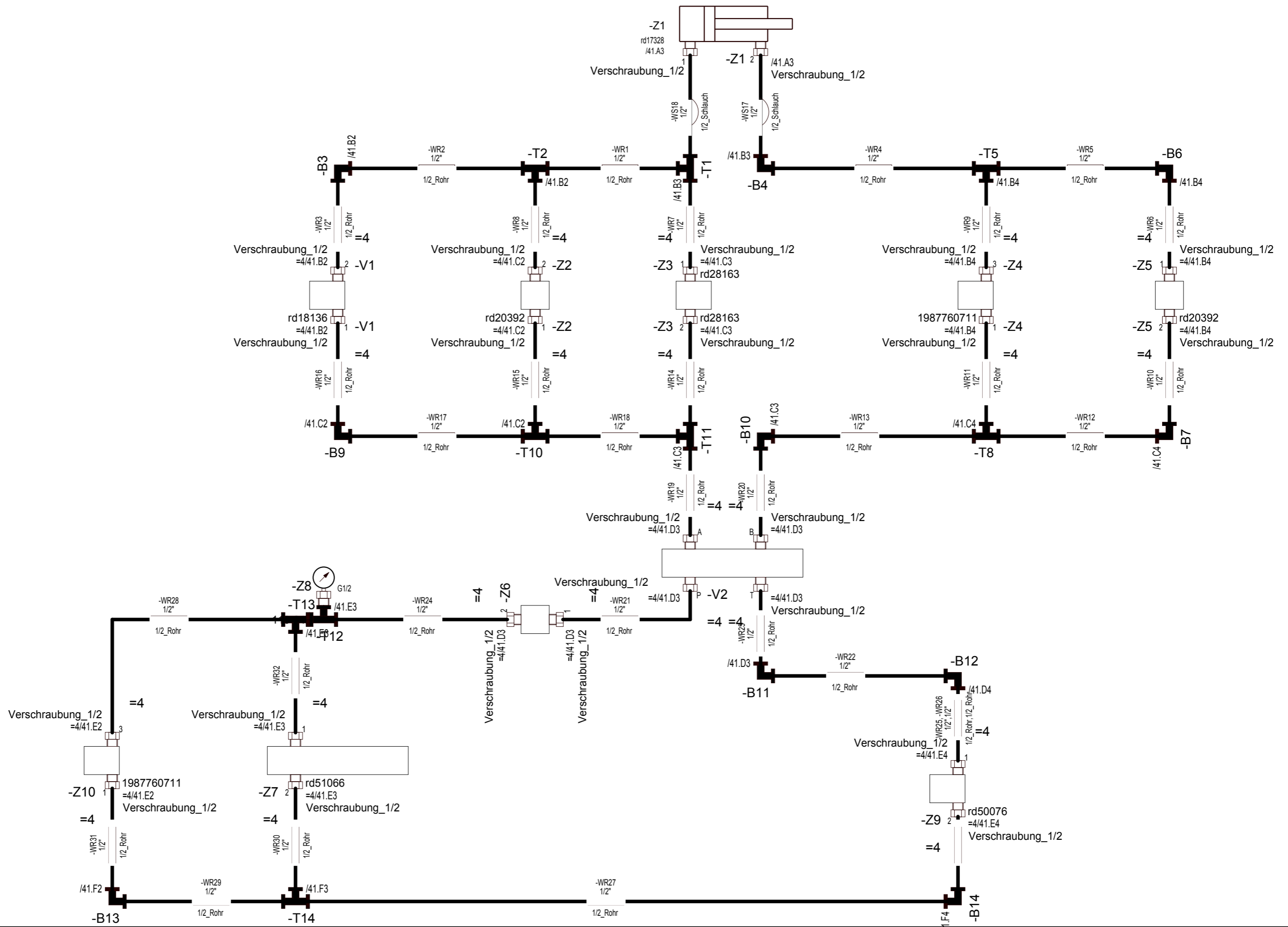
Sheet 41
17 Sh.

Hydraulic

Fluid_Pneumatic-Hydraulic_2009
 W:\CT\COPYTemplate_E3-Projekte\Fluid\

created with
E3 series

We reserve all rights in this document and in the information contained therein. Reproduction, use or disclosure to third parties without express authority is strictly forbidden.
 © CIM-Team



date		2009-01-28		User		CT-AS		Proved		CT-BS		Order		Origin		Repl. f.		Repl. by		CIM-TEAM A ZUKEN COMPANY		Vorschubeinheit Piping		ABCDEFG-111		=4	
Status	change	date	name	Standard	Origin	Repl. f.	Repl. by	123456789-AAA														Sheet	42				
																			17 Sh.								